

CZRUC2V4B-HF Thru. CZRUC39VB-HF

High-Reliability and High-Performance

RoHS Device

Halogen Free

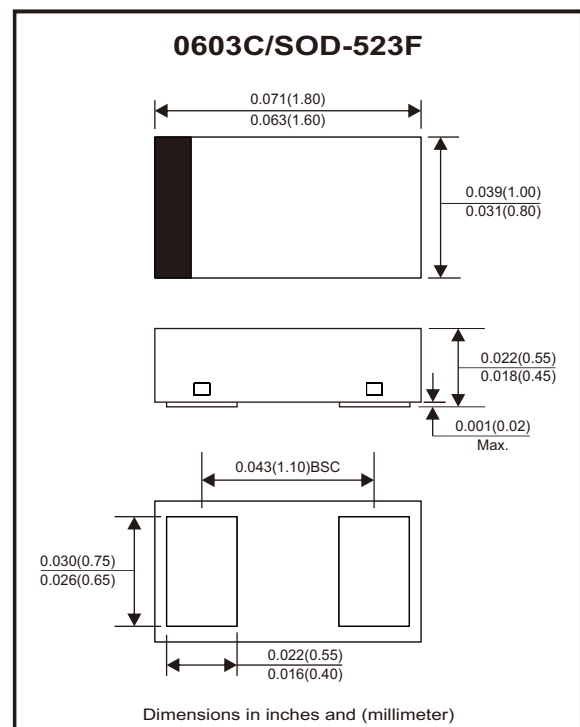


Features

- 150mW power dissipation.
- High voltages from 2.4V to 39V.
- Designed for mounting on small surface.
- Extremely thin/leadless package.
- Constant voltage control.

Mechanical data

- Case: 0603C/SOD-523F package, molded plastic.
- Terminals: Gold plated, solderable per MIL-STD-750, method 2026.
- Polarity: Indicated by cathode band.
- Mounting position: Any.



Circuit Diagram



Maximum Rating (at TA=25°C unless otherwise noted)

Parameter	Symbol	Value	Unit
Maximum forward voltage drop at $I_F = 10 \text{ mA}$	V_F	0.9	V
Maximum power dissipation at 25°C	P_D	150	mW
Operating junction temperature range	T_J	-55 to +150	°C
Storage temperature range	T_{STG}	-55 to +150	°C

Electrical Characteristics (at TA=25°C unless otherwise noted)

Part Number	Marking code	Zener Voltage			Operating resistance		Rising operating resistance		Reverse current	
		Vz(V)			Zzt(Ohm)		Zzk(Ohm)		Ir(μA)	
		Min	Max	Iz(mA)	Max	Iz(mA)	Max	Iz(mA)	Max	Vr(V)
CZRUC2V4B-HF	U2	2.34	2.46	5	100	5	1800	0.25	100	1
CZRUC2V7B-HF	U3	2.63	2.77	5	100	5	1900	0.25	75	1
CZRUC3V0B-HF	U4	2.93	3.08	5	95	5	2000	0.25	50	1
CZRUC3V3B-HF	U5	3.22	3.38	5	95	5	2200	0.25	25	1
CZRUC3V6B-HF	U6	3.51	3.69	5	90	5	2300	0.25	15	1
CZRUC3V9B-HF	U7	3.80	4.00	5	90	5	2400	0.25	10	1
CZRUC4V3B-HF	U8	4.19	4.41	5	88	5	2500	0.25	5	1
CZRUC4V7B-HF	U9	4.58	4.82	5	70	5	2200	0.25	3	1.5
CZRUC5V1B-HF	UA	4.97	5.23	5	50	5	2050	0.25	2	2
CZRUC5V6B-HF	UB	5.46	5.74	5	25	5	1800	0.25	2	3
CZRUC6V2B-HF	UC	6.05	6.36	5	10	5	1300	0.25	1	4
CZRUC6V8B-HF	UE	6.63	6.97	5	8	5	750	0.25	1	5.2
CZRUC7V5B-HF	UF	7.31	7.69	5	7	5	600	0.25	0.5	6
CZRUC8V2B-HF	UG	8.00	8.41	5	7	5	600	0.25	0.5	6.5
CZRUC9V1B-HF	UH	8.87	9.33	5	10	5	600	0.25	0.1	7
CZRUC10VB-HF	UJ	9.75	10.25	5	15	5	600	0.25	0.1	8
CZRUC11VB-HF	UK	10.73	11.27	5	18	5	600	0.25	0.1	8.4
CZRUC12VB-HF	UM	11.70	12.30	5	22	5	600	0.25	0.1	9.1
CZRUC13VB-HF	UN	12.68	13.32	5	25	5	600	0.25	0.1	9.9
CZRUC15VB-HF	UP	14.63	15.37	5	32	5	600	0.25	0.1	11
CZRUC16VB-HF	UQ	15.60	16.40	5	36	5	600	0.25	0.1	12
CZRUC18VB-HF	UR	17.55	18.45	5	42	5	600	0.25	0.1	14
CZRUC20VB-HF	US	19.50	20.50	5	48	5	600	0.25	0.1	15
CZRUC22VB-HF	UT	21.45	22.55	5	55	5	600	0.25	0.1	17
CZRUC24VB-HF	UU	23.40	24.60	5	62	5	600	0.25	0.1	18
CZRUC27VB-HF	UV	26.33	27.67	5	70	5	600	0.25	0.1	21
CZRUC30VB-HF	UW	29.25	30.75	5	78	5	600	0.25	0.1	23
CZRUC33VB-HF	UX	32.18	33.82	5	88	5	600	0.25	0.1	25
CZRUC36VB-HF	UY	35.10	36.90	5	95	5	600	0.25	0.1	27
CZRUC39VB-HF	UZ	38.03	39.97	5	130	5	600	0.25	0.1	30

Typical Rating and Characteristic Curves (CZRUC2V4B-HF Thru. CZRUC39VB-HF)

Fig.1 - Zener Voltage Characteristics

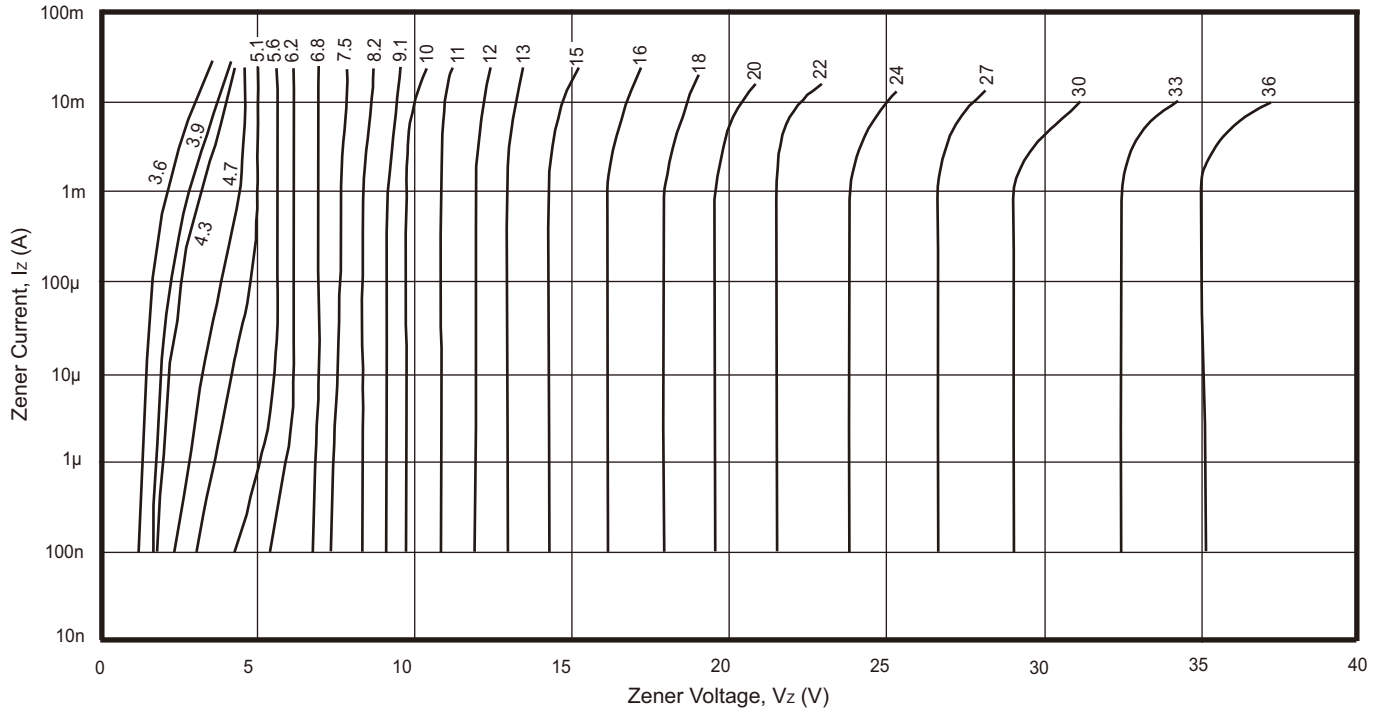


Fig.2 - Derating Curve

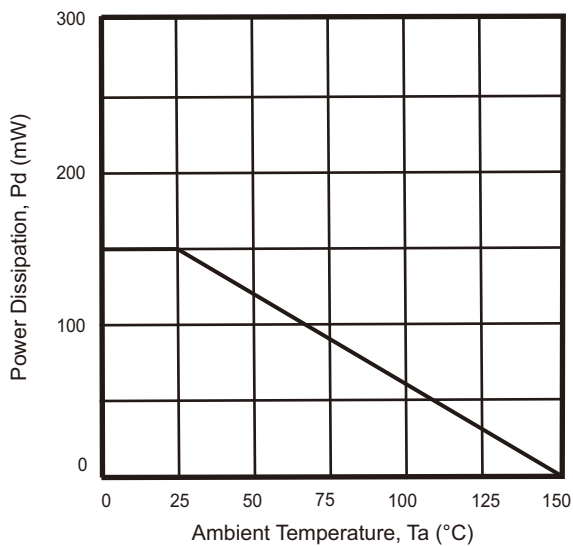
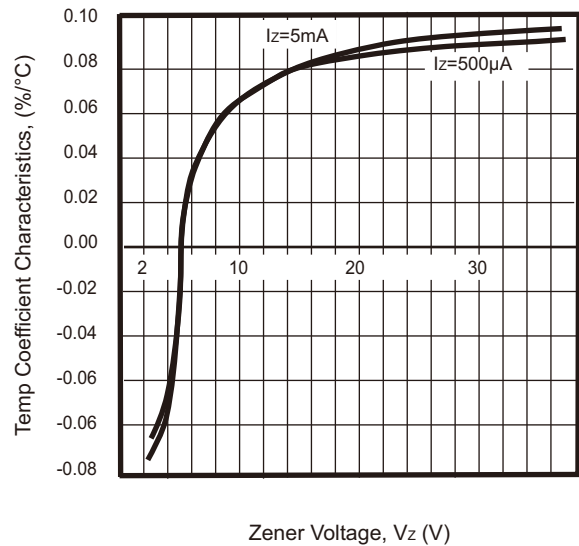
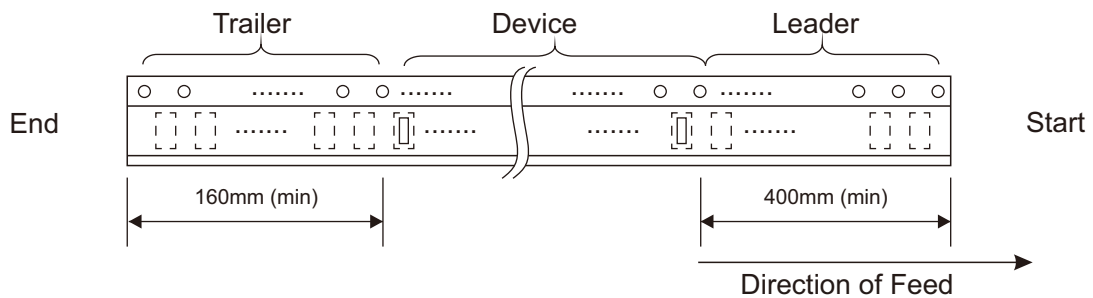
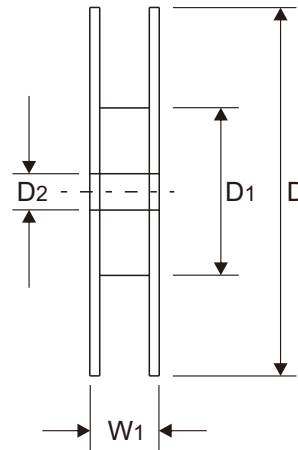
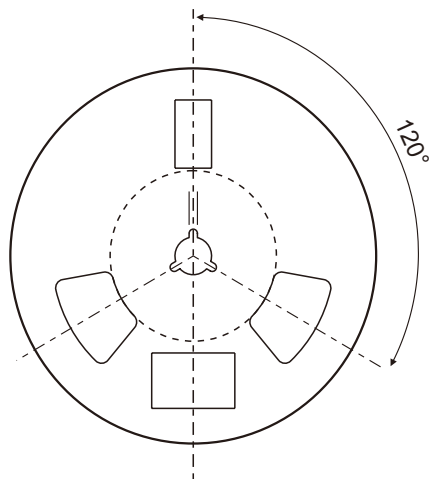
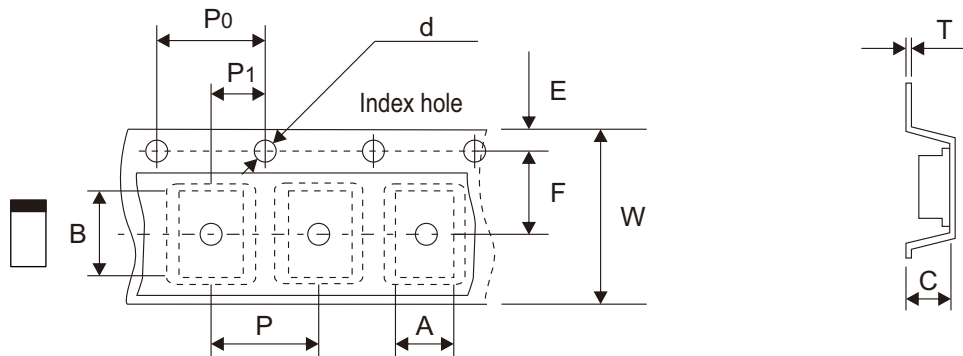


Fig.3 - Zener Voltage-Temp. Coefficient Characteristics



Reel Taping Specification



0603C (SOD-523F)	SYMBOL	A	B	C	d	D	D1	D2
	(mm)	1.05 ± 0.05	1.96 ± 0.05	0.57 ± 0.05	1.50 + 0.10 - 0.00	178.00 ± 1.00	60.00 ± 0.50	13.50 ± 0.20
	(inch)	0.041 ± 0.002	0.077 ± 0.002	0.022 ± 0.002	0.059 + 0.004 - 0.000	7.008 ± 0.039	2.362 ± 0.020	0.531 ± 0.008

0603C (SOD-523F)	SYMBOL	E	F	P	P0	P1	T	W	W1
	(mm)	1.75 ± 0.10	3.50 ± 0.05	4.00 ± 0.10	4.00 ± 0.05	2.00 ± 0.05	0.20 ± 0.03	8.00 ± 0.20	12.00 + 0.50 - 0.00
	(inch)	0.069 ± 0.004	0.138 ± 0.002	0.157 ± 0.004	0.157 ± 0.002	0.079 ± 0.002	0.008 ± 0.001	0.315 ± 0.008	0.472 + 0.020 - 0.000

Marking Code

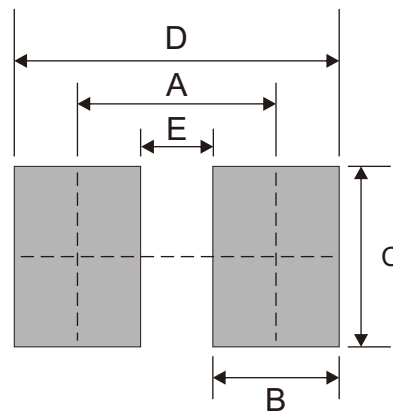
Part Number	Marking Code
CZRUC2V4B-HF Thru. CZRUC39VB-HF	See Page 2



xx = Product type marking code

Suggested P.C.B. PAD Layout

SIZE	0603C/SOD-523F	
	(mm)	(inch)
A	1.10	0.043
B	0.70	0.028
C	1.00	0.039
D	1.80	0.071
E	0.40	0.016



Standard Packaging

Case Type	REEL PACK	
	REEL (pcs)	Reel Size (inch)
0603C/SOD-523F	4,000	7